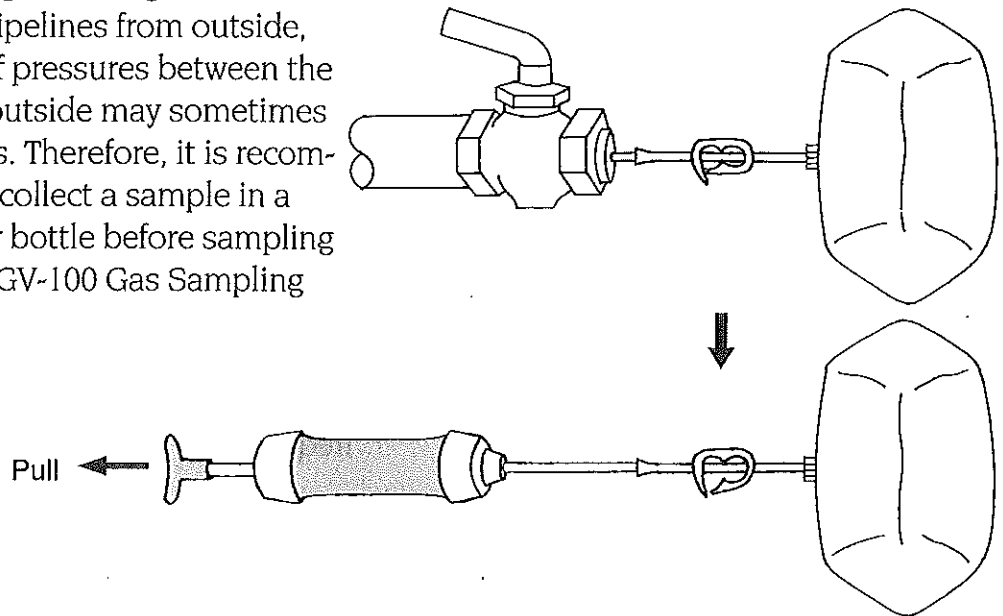


**■ Measurements of concentrations within equipment or pipelines**

When measuring internal gases of equipment or pipelines from outside, the difference of pressures between the inside and the outside may sometimes affect the results. Therefore, it is recommended to first collect a sample in a sampling bag or bottle before sampling with the Model GV-100 Gas Sampling Pump.

Collecting the sample in a sampling bag by using a drain cock, and sampling with the Model GV-100 Gas Sampling Pump.



Collecting the sample into a sampling bottle by using a drain cock, and sampling with the Model GV-100 Gas Sampling Pump. The sample gas should flow through the sample bottle at 1 to 2 l/min.

